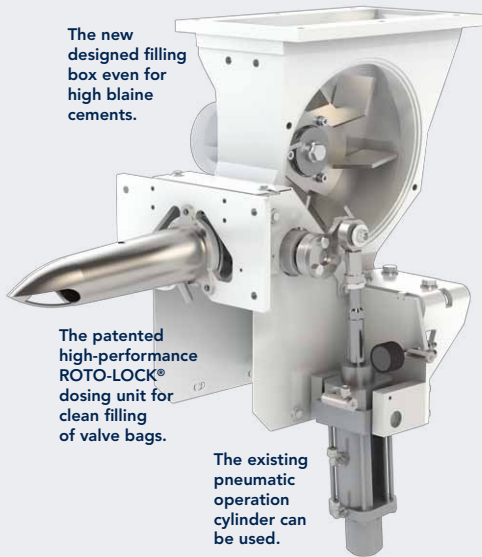




The new designed filling box even for high blaine cements.



The patented high-performance ROTO-LOCK® dosing unit for clean filling of valve bags.

The existing pneumatic operation cylinder can be used.

Contact : Uwe Golkowski
Tel.: +49 (0) 2522 30-533
E-mail: u.golkowski@haverboecker.com

The new dosing unit ROTO-LOCK®

YOUR ADVANTAGES

- Maximize performance even with high blaine cements
- Less wear and tear
- Maintenance-free dosing unit
- No adjustments or readjustments necessary
- Fully closed filling channel
- Clean filling process
- Long operating lifetime of the filling spout due to improved material selection

YOUR BENEFITS

- Higher performance, higher output, higher profit
- Profit increase due to clean filling and reduced product loss
- Higher production due to less downtime
- Cost reduction due to less cleaning and lower spare part costs